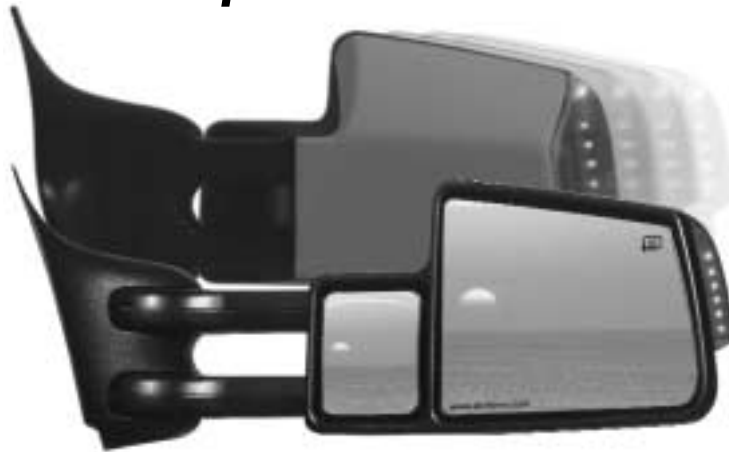


Take a really good look

Telescopic Trailer Tow Mirror by  **scheffenacker**

take a really good look

Replacement Component Installation Instructions



Important Information

All illustrations are drawn to show driver's side component.

WARNING

Please read ALL the instructions and warnings thoroughly before installing the replacement parts. Ensure that the fitting instructions are followed exactly, as failure to do so may result in incorrect installation, and may also result in the driver, passengers and vehicle being placed in hazardous conditions.

Scheffenacker Warranty – Terms & Conditions

Scheffenacker Vision Systems Australia Pty Ltd warrants that this component is free from defects in material and workmanship under normal use for a period of 12 months from the date of purchase.

Preparation and STEP 1 COVER REPLACEMENT (chrome, as molded, theme, part # 9040 –)

Existing cover removal.

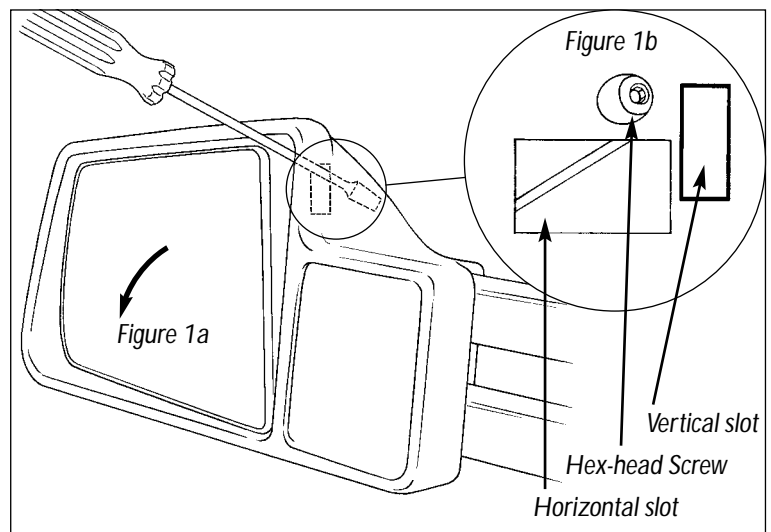
Make sure you have the required tools:

- flashlight
- slotted screwdriver (with at least a 5" shaft).

Approximate installation time: 5 – 10 minutes.

1. Pull the top edge of the main glass as far forward as practical. It may make a clicking sound as it moves - this is normal. (See Figure 1a)

Using a flashlight, locate the vertical rectangular slot on the vehicle side of the main glass opening. It will be alongside a hex-head screw and another rectangular slot - horizontal. (See Figure 1b)



Continued over page...

For technical support, contact your Telescopic Trailer Tow Mirror dealer or visit www.ttt-mirror.com

2. Insert your screwdriver through the vertical slot until you feel the tip pressing against a spring loaded clip (see Figure 2 opposite).

Push the screwdriver **gently** against the clip – very little force is needed.

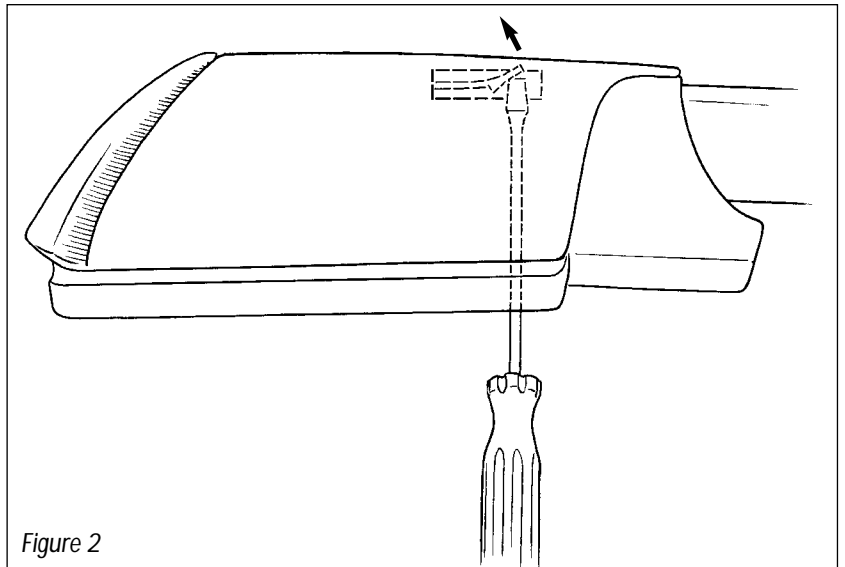


Figure 2

3. At the same time, slide the mirror cover towards the vehicle door. (see Figure 3 opposite)
The cover should slide away from the main body of the mirror.

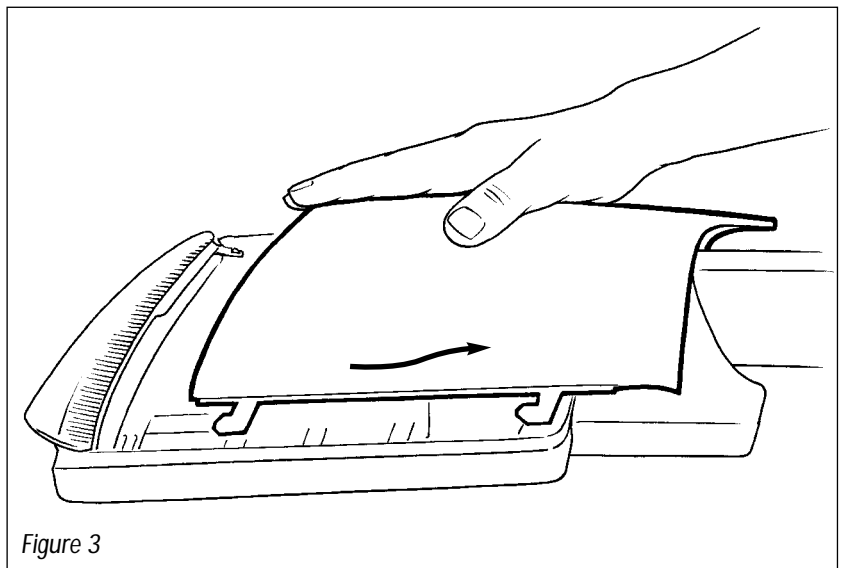


Figure 3

4. To refit the cover, simply position the cover over the main body of the mirror, locate the two hook-like tags in the slots at the top edge of the mirror body, place the cover flat against the body of the mirror and slide the cover away from the vehicle door. (see Figure 4 opposite)

You should hear a definite “click” as the cover locates itself.

Check for an even and secure fit of the cover.

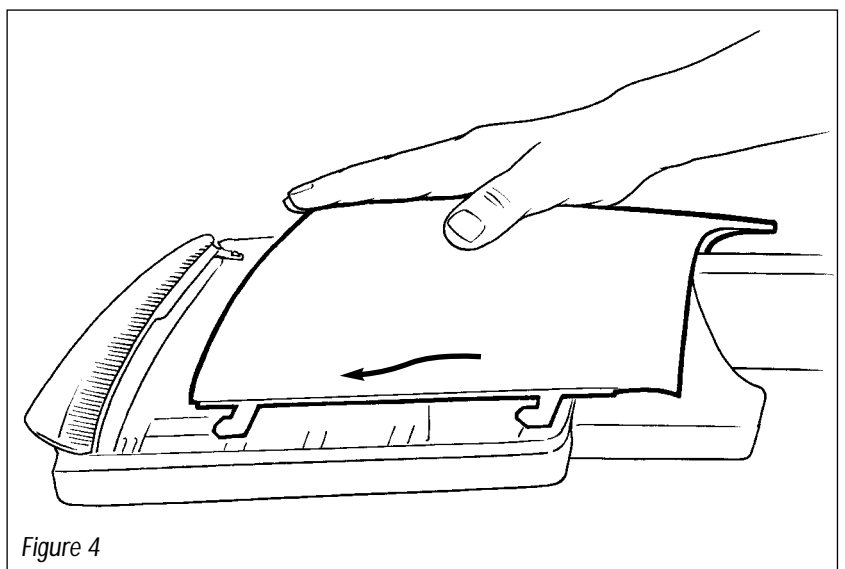


Figure 4